

# 18GHz PD receiver

## Product Features

- Supports upto 20GHz BW
- TO46 Header package
- Ball lens cap
- Operating case temperature: -40 to 85 °C
- High reliability
- Compatible with RoHS6

## Product Applications

- Analog communication
- Data communication

## Performance Specifications

Absolute Maximum Ratings				
Parameter	Symbol	Min.	Max.	Unit
Storage Temperature range	Tst	-40	+100	°C
operating Temperature range	Top	-40	+85	°C
Operating Relative Humidity	RH	5	85	%
Reverse bias	Vpd for PD		10	V
Input optical power	Pmax for PD		10	dBm
Lead soldering time	t @ 260°C		10	s

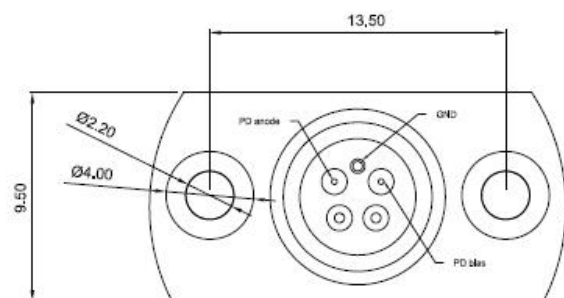
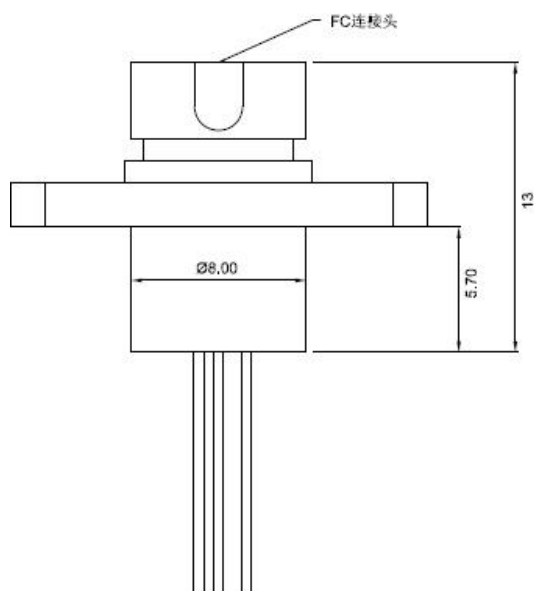
Optical and Electrical Specification						
Parameter	Symbol	Min	Typ	Max	Units	Note
Response Spectrum	$\lambda$	1100		1650	nm	
BW	-3dB	18			GHz	-
Active area diameter	$\phi$		20		um	
Reverse Breakdown Voltage	Vbr	20				3
Responsivity	R	0.75			A/W	1,2
Dark current	I <sub>d</sub>		1	10	nA	
Capacitance	C			0.1	pf	

**Notes:**

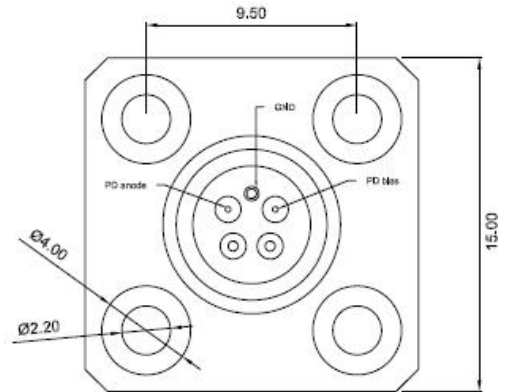
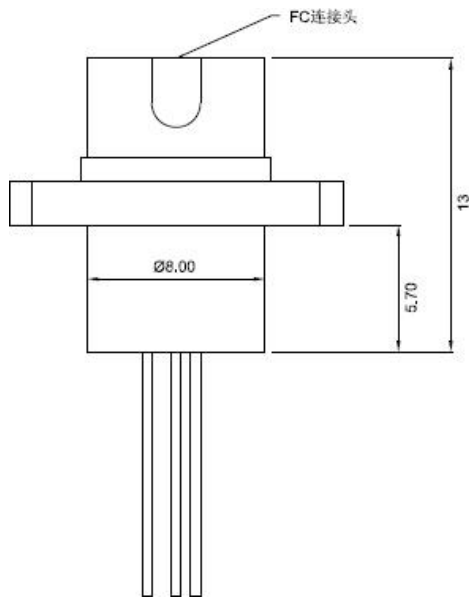
1.  $\lambda=1310\text{nm}, 1550\text{nm}$
2.  $25^{\circ}\text{C}$  normal bias
3.  $I_d=10\mu\text{A}$

## Mechanical details

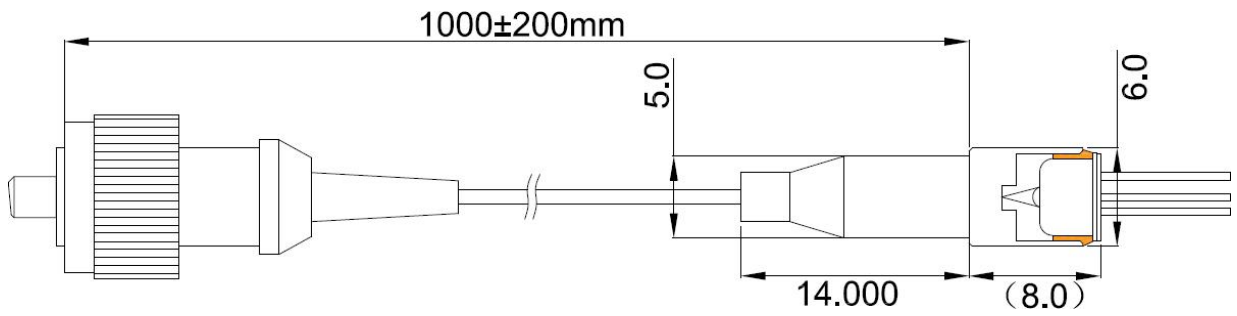
### MR8003-FA01



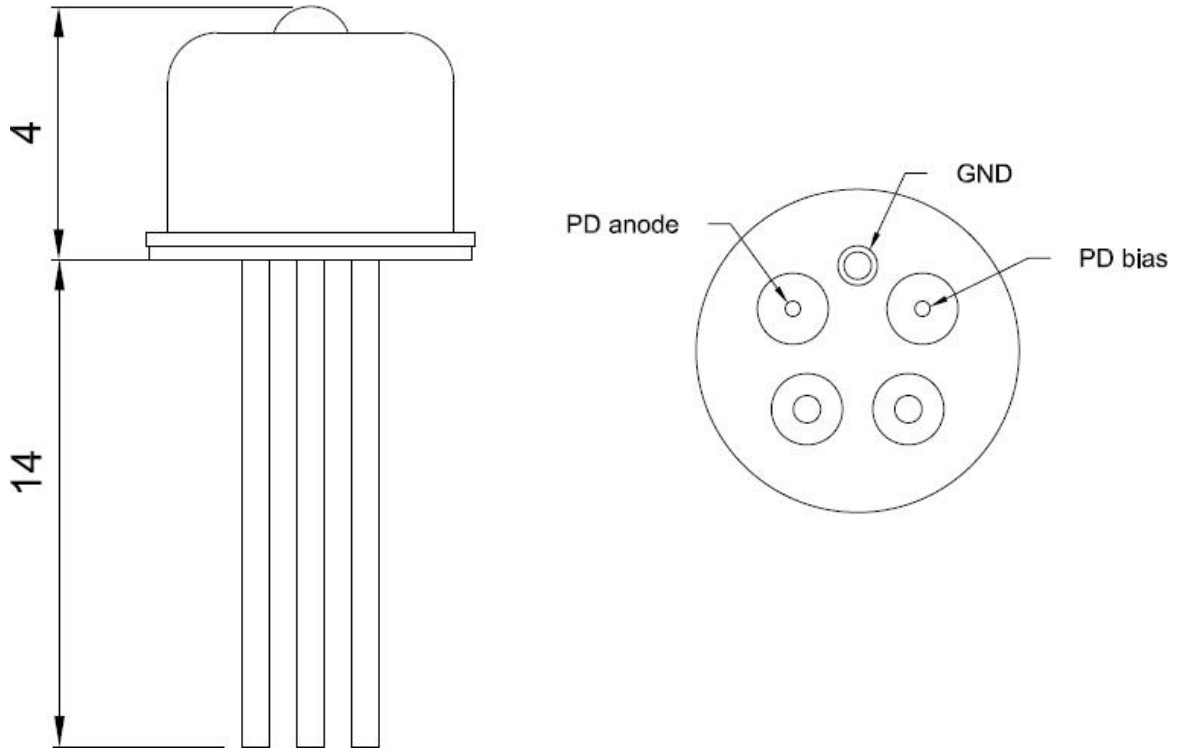
**MR8003-FA02**



**MR8003-FA03**



## TO46 TO-CAN PIN Configuration



## Ordering Information

Part number	Note
<b>MR8000-F0</b>	<b>18G PD TO-CAN</b>
<b>MR8000-FA01</b>	<b>18G PD with FC flange (type1) connect to FC/APC fiber pigtail</b>
<b>MR8000-FA02</b>	<b>18G PD with FC flange (type2) connect to FC/APC fiber pigtail</b>
<b>MR8000-FA03</b>	<b>18G PD with FC/APC fiber pigtail, 0.9mm, 1m length</b>